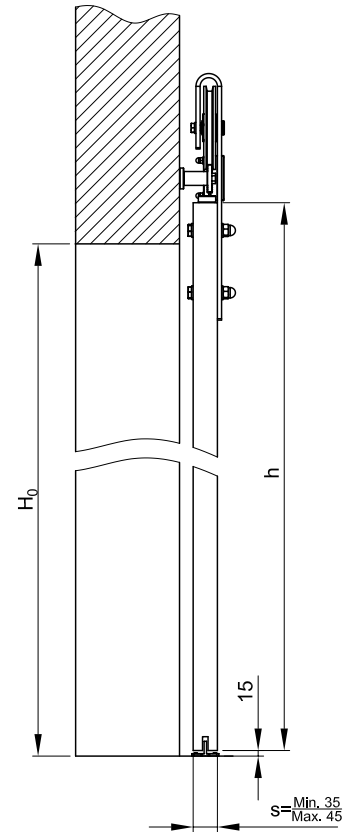
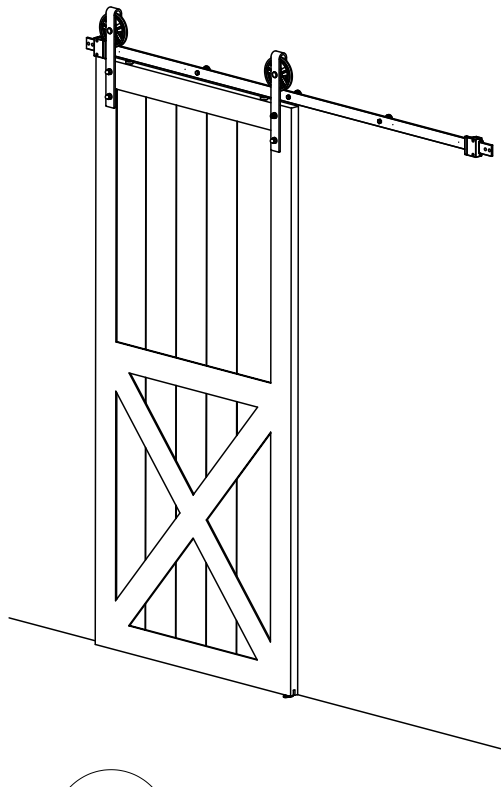
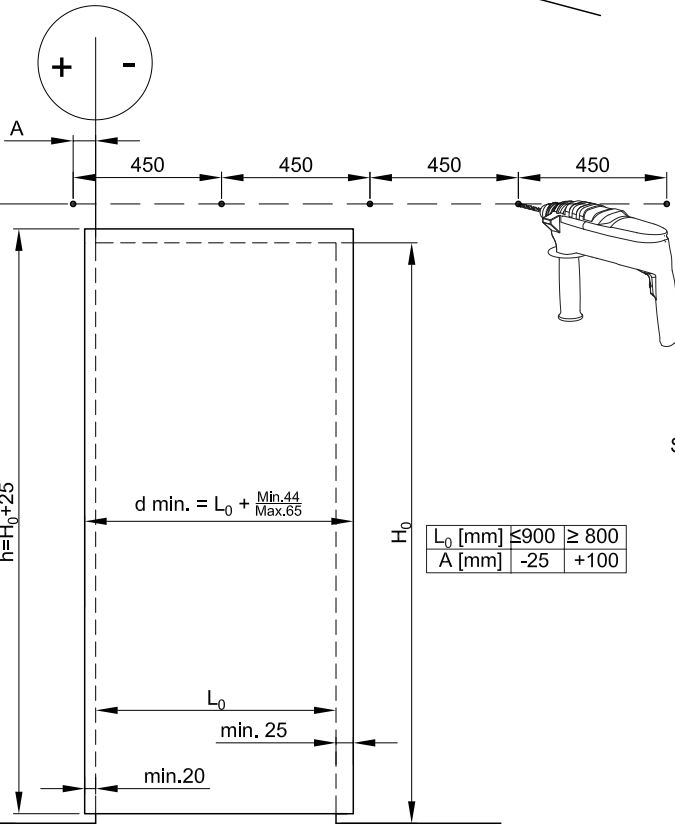




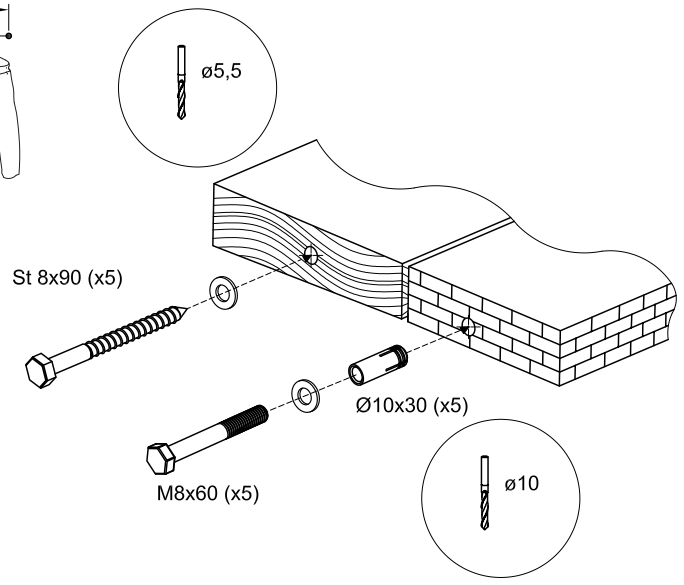
- x1
- x2
- x5
- x2
- x2
- x1
- x4
- x4
- x4
- x5
- x5
- x5
- x2
-



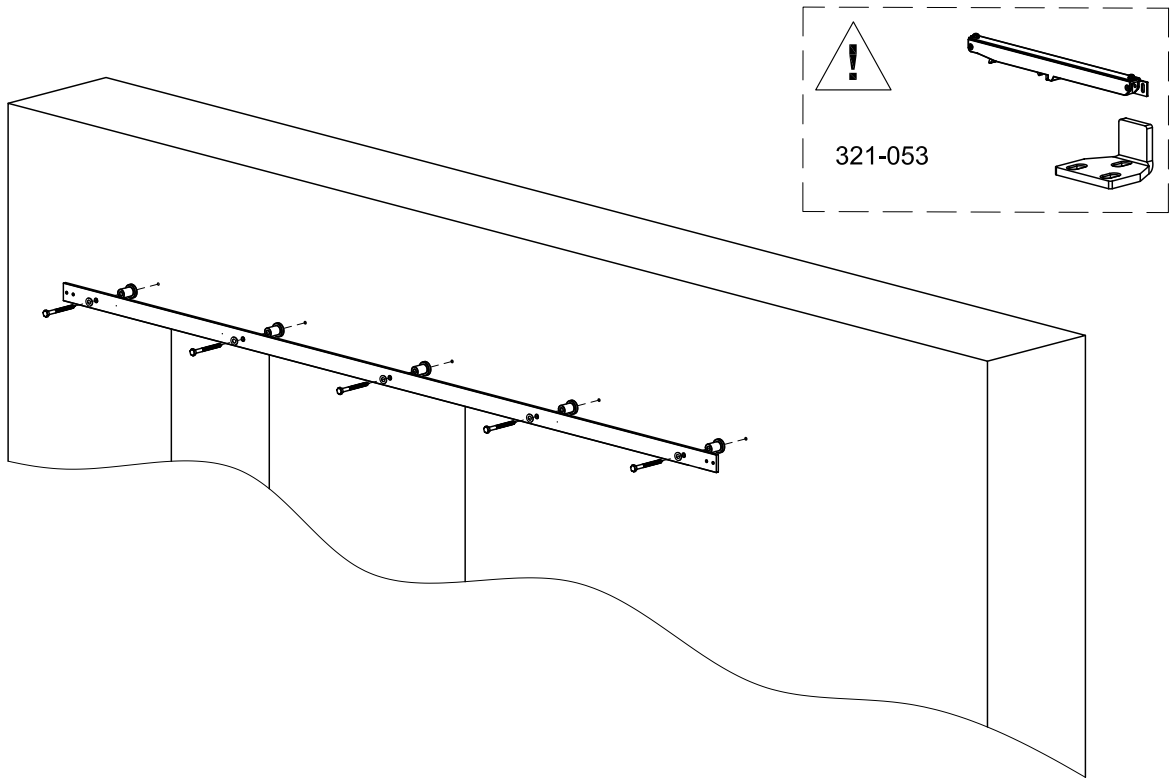
1



L_0 [mm]	≤ 900	≥ 800
A [mm]	-25	+100



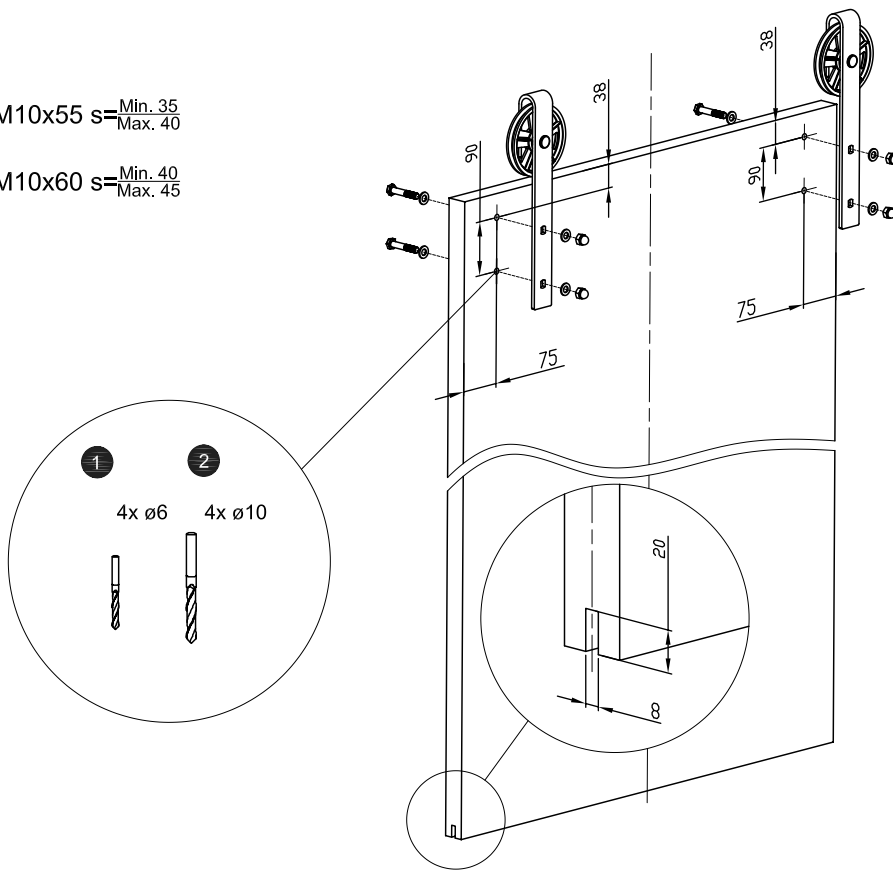
2



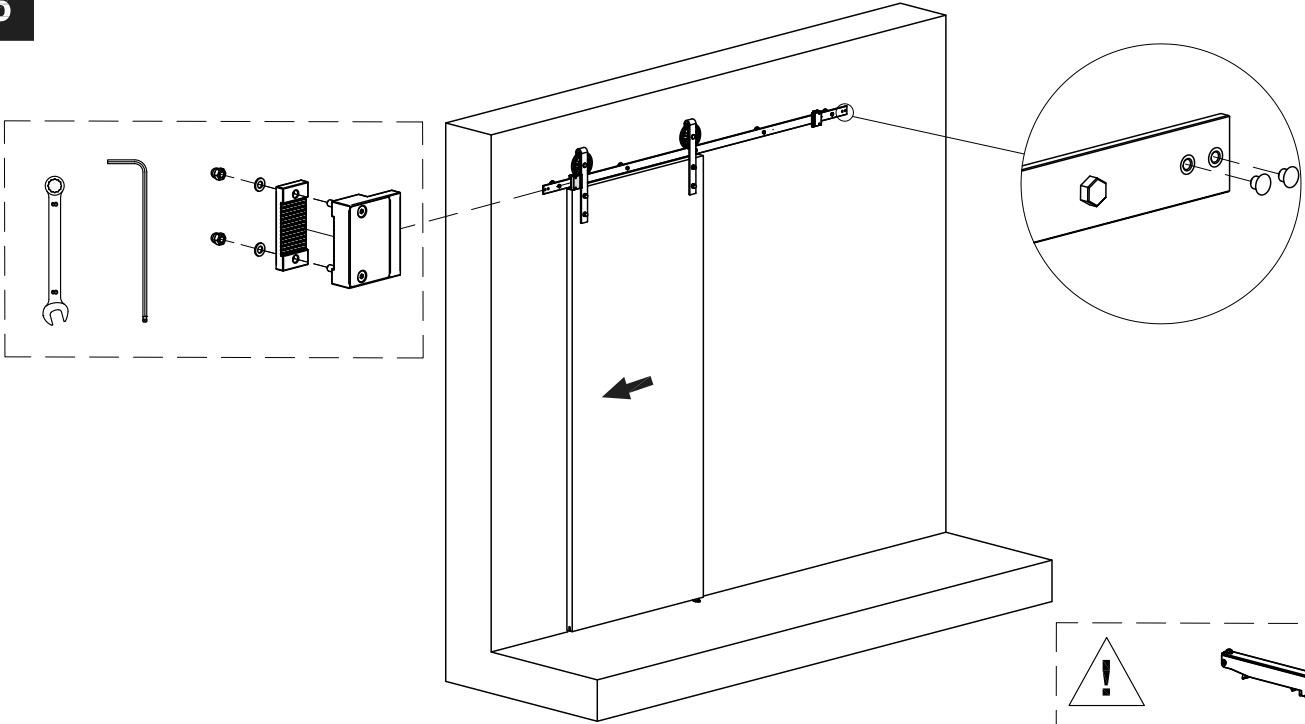
3

M10x55 s= $\begin{matrix} \text{Min. } 35 \\ \text{Max. } 40 \end{matrix}$

M10x60 s= $\begin{matrix} \text{Min. } 40 \\ \text{Max. } 45 \end{matrix}$



6



7

